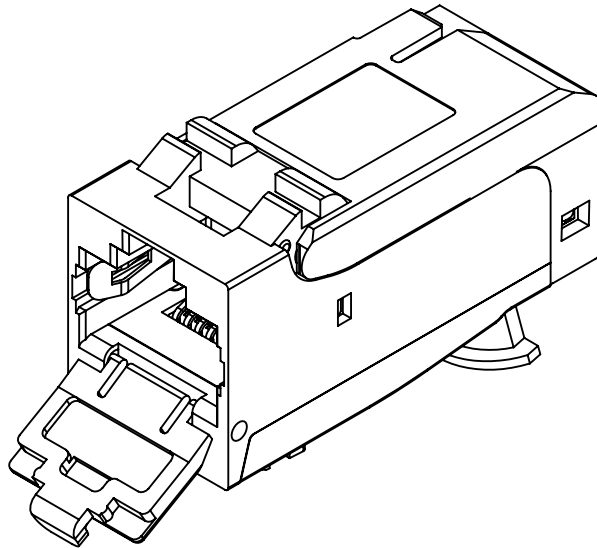



Technical Datasheet

fixLink[®] Cat. 6_A ISO/IEC WA

AWG 27 - AWG 26

Item No. : CKWAKFL7 / CKWAKFL7EP



<small>d</small> <small>c</small> <small>b</small> <small>a</small>	<small>Änderung</small> PoE überarbeitet <small>Bestellcode</small> Neuerstellung	<small>03.11.2022</small> <small>17.07.2017</small> <small>09.03.2017</small> <small>01.07.2016</small>	<small>MW</small> <small>MJ</small> <small>GF</small> <small>MJ</small>	drawn 01.07.2016 MJ	 EasyLan[®] ...for a better connectivity	
				appr. 04.07.2016 GF		
				Titel: fixLink[®] Cat. 6_A ISO/IEC WA AWG 27 - AWG 26		
				Drawing number: ZN-CU161035		
Index	Revision code	Date	Name	Dimensions: mm Original: DIN A4 Sheet 1 of 4		

Technical Data

Connector Standard	IEC 60603-7-51
Mechanical Characteristics	
Life (mating cycles)	≥ 750
Insertion force	≤ 30N
Conductor diameter	flex / stranded 0,457-0,483 mm / AWG 27/7 - AWG 26/7
Insulation diameter	5 - 9 mm
Reusable (Module)	≤ 5 cycles with the same diameter
EC Directive 2002/95/EC (RoHS)	RoHS-compliant
Materials	
Housing	zinc diecast
Strain-relief sliver	zinc diecast
Surface	nickel plated
Shield spring	stainless steel
PCB	FR-4
PCB finish	HAL lead-free
Contacts	spring steel
Contact finish	30µm Au
Insulation housing	PA light green (RAL 6027)
Contact support plate	PC white (RAL 9010)
Dust protection cover	PC clear
IDC	CuNi2Si
IDC finish	min. 3-6 µm (120-240µin) Sn
Environmental Requirements	
Particulate ingress	IP2X
Water ingress	IPX0
Ambient temperature	-40°C to +85°C
Packaging material	bio-degradable
Electrical Characteristics	
Contact resistance	≤ 20 mΩ
Insulation resistance	≥ 500 MΩ
Voltage proof - contact-contact	≥ 1000 V (DC)
Voltage proof - contact-shield	≥ 1500 V (DC)
Current carrying capacity at 50°C	1,25 A
PoE+ according to IEEE 802.3at	adequate
Transfer Impedance at 1 MHz	≤ 100 mΩ
Transfer Impedance at 10 MHz	≤ 200 mΩ
Transfer Impedance at 80 MHz	≤ 1600 mΩ

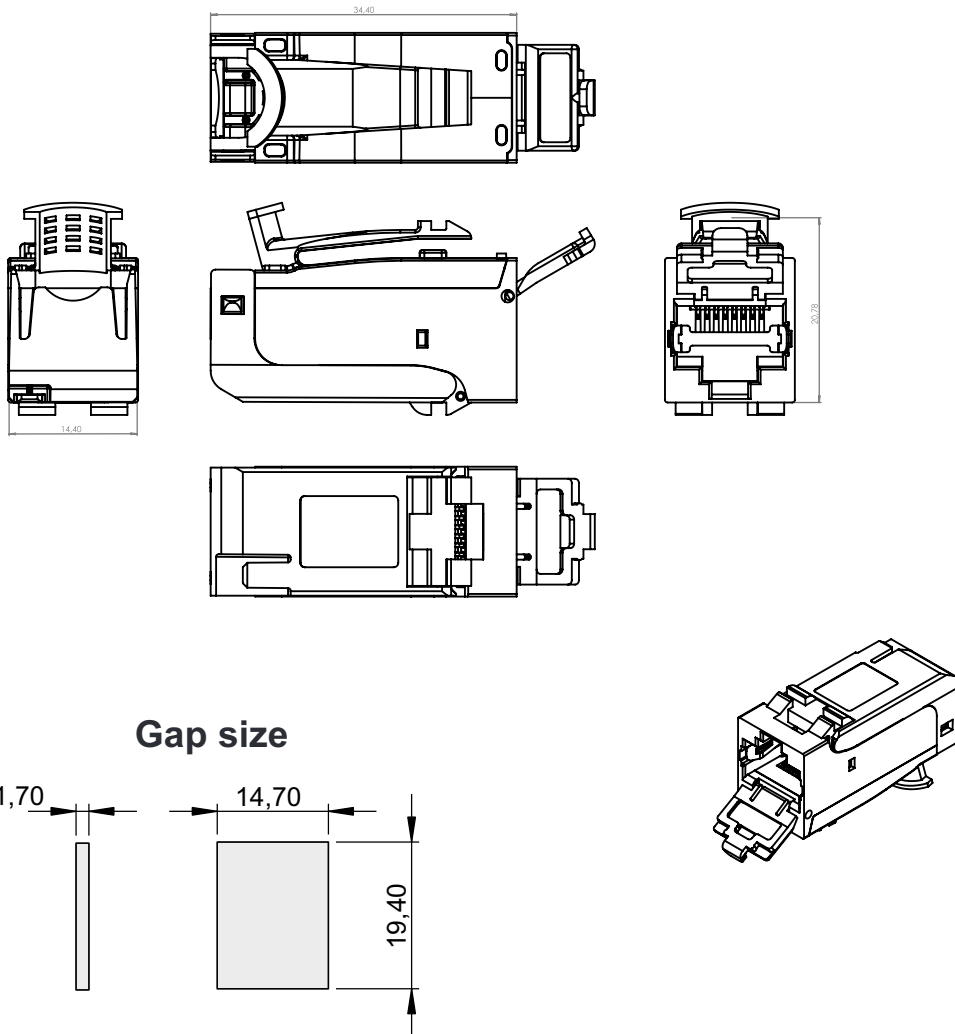
All rights reserved ZVK GmbH D-94244 Teisnach Technologyecampus 2 Germany Phone: +49 9923 804379-50 Fax: +49 9923 804379-50 www.zvk-gmbh.de all data without guarantee

d c b a	Änderung PoE überarbeitet Bestellcode Neuerstellung	03.11.2022 17.07.2017 09.03.2017 01.07.2016	MW MJ GF MJ	drawn	01.07.2016	MJ		
				appr.	04.07.2016	GF		
Index	Revision code	Date	Name	Titel: fixLink® Cat. 6_A ISO/IEC WA AWG 27 - AWG 26				Dimensions: mm
Drawing number: ZN-CU161035				Original: DIN A4				Sheet 2 of 4


Technical Data

Transmission Performance	
10 Gigabit Ethernet acc. to IEEE 802.3an	adequate
GHMT approved (PoE type III / IV)	DIN IEC 60512-99-001:2015 & DIN IEC 60512-9-3:2010
Categorie 6 _A	ISO/IEC 11801; DIN EN 50173-1
Class EA	acc. ISO/IEC 11801 Amendment 1/2 typical link length > 2 m, in combination with a CP-cable: CP-Link typ. > 10 m 10 GbE is supported

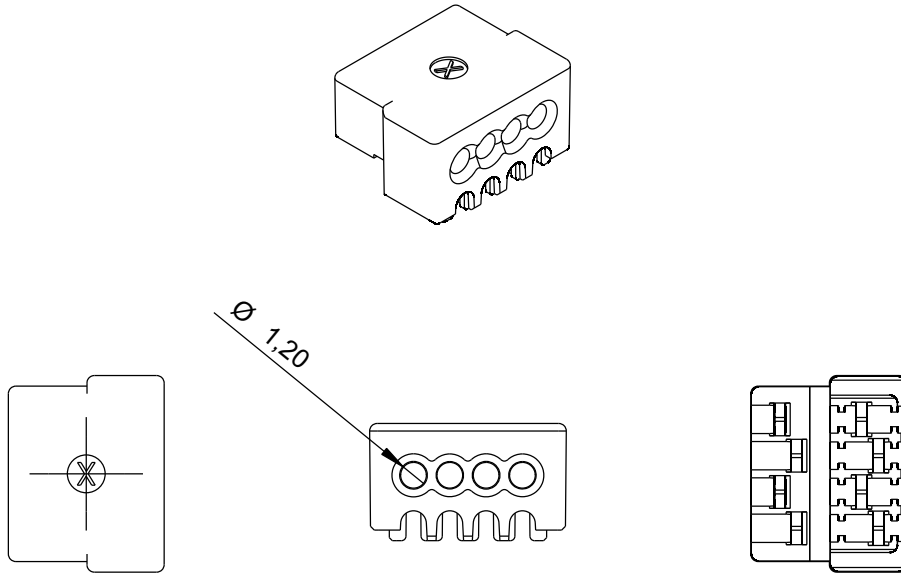
Drawing



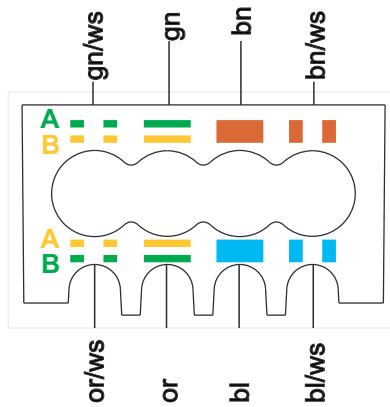
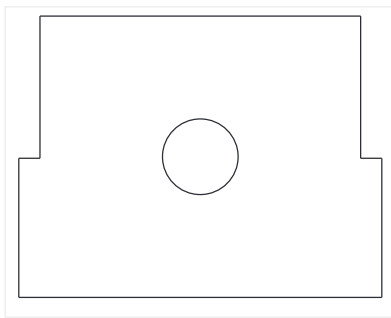
All rights reserved ZVK GmbH D-94244 Teisnach Technologiecampus 2 Germany Phone: +49 9923 804379-0 Fax: +49 9923 804379-50 www.zvk-gmbh.de all data without guarantee

Index	Revision code	Date	Name	drawn	01.07.2016	MJ	 EasyLan [®] ...for a better connectivity	
				appr.	04.07.2016	GF		
				Titel: fixLink[®] Cat. 6_A ISO/IEC WA AWG 27 - AWG 26				Dimensions: mm
				Drawing number: ZN-CU161035				Original: DIN A4
							Sheet 3 of 4	

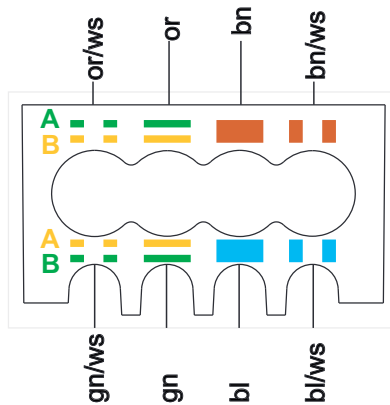
Drawing



Configuration



Configuration to
TIA/EIA 568 A



Configuration to
TIA/EIA 568 B

Index	Revision code	Date	Name	drawn	01.07.2016	MJ
				appr.	04.07.2016	GF
				Titel:		
				fixLink® Cat. 6 _A ISO/IEC WA AWG 27 - AWG 26		
Drawing number:				ZN-CU161035		



Dimensions: mm

Original: DIN A4

Sheet 4 of 4