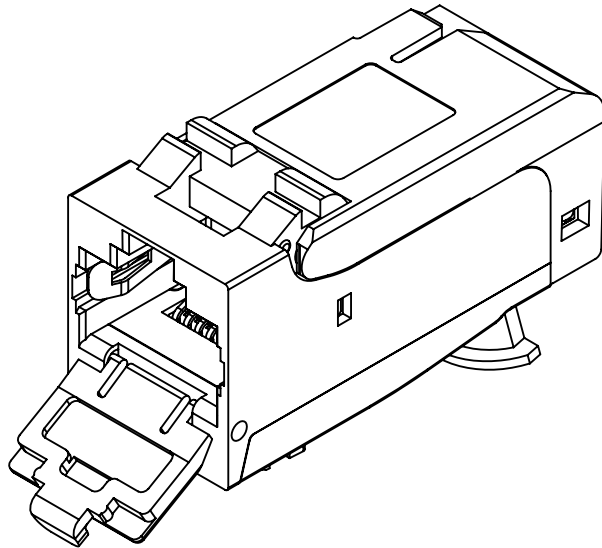



Technical Datasheet

fixLink[®] Cat. 6_A ISO/IEC WA

AWG 24 - AWG 22

Item No. : CKWAK007 / CKWAK007EP




<small>d</small> <small>c</small> <small>b</small> <small>a</small>	<small>Änderung</small> PoE überarbeitet <small>Bestellcode</small> Neuerstellung	<small>03.11.2022</small> 17.07.2017 09.03.2017 01.07.2016	<small>MW</small> MJ GF MJ	drawn 01.07.2016 MJ	 EasyLan[®] ...for a better connectivity	
				appr. 04.07.2016 GF		Dimensions: mm Original: DIN A4
				Titel: fixLink [®] Cat. 6 _A ISO/IEC WA AWG 24 - AWG 22		
				Drawing number: ZN-CU161034		Sheet 1 of 4
Index	Revision code	Date	Name			

Technical Data

Connector Standard	IEC 60603-7-51
Mechanical Characteristics	
Life (mating cycles)	≥ 750
Insertion force	≤ 30N
Conductor diameter	massiv / solid 0,51-0,65 mm / AWG 24/1 - AWG 22/1
Insulation diameter	5 - 9 mm
Reusable (Module)	≤ 5 cycles with the same diameter
EC Directive 2002/95/EC (RoHS)	RoHS-compliant
Materials	
Housing	zinc diecast
Strain-relief sliver	zinc diecast
Surface	nickel plated
Shield spring	stainless steel
PCB	FR-4
PCB finish	HAL lead-free
Contacts	spring steel
Contact finish	1,27 µm / 50µin Au
Insulation housing	PA light green (RAL 6027)
Contact support plate	PC yellow (RAL 1021)
Dust protection Cover	PC clear
IDC	CuNi2Si
IDC finish	min. 3-6 µm (120-240µin) Sn
Environmental Requirements	
Particulate ingress	IP2X
Water ingress	IPX0
Ambient temperature	-40°C to +85°C
Packaging material	bio-degradable
Electrical Characteristics	
Contact resistance	≤ 20 mΩ
Insulation resistance	≥ 500 MΩ
Voltage proof - contact-contact	≥ 1000 V (DC)
Voltage proof - contact-shield	≥ 1500 V (DC)
Current carrying capacity at 50°C	1,25 A
PoE according to IEEE 802.3at / IEEE802.3bt	adequate
Transfer Impedance at 1 MHz	≤ 100 mΩ
Transfer Impedance at 10 MHz	≤ 200 mΩ
Transfer Impedance at 80 MHz	≤ 1600 mΩ

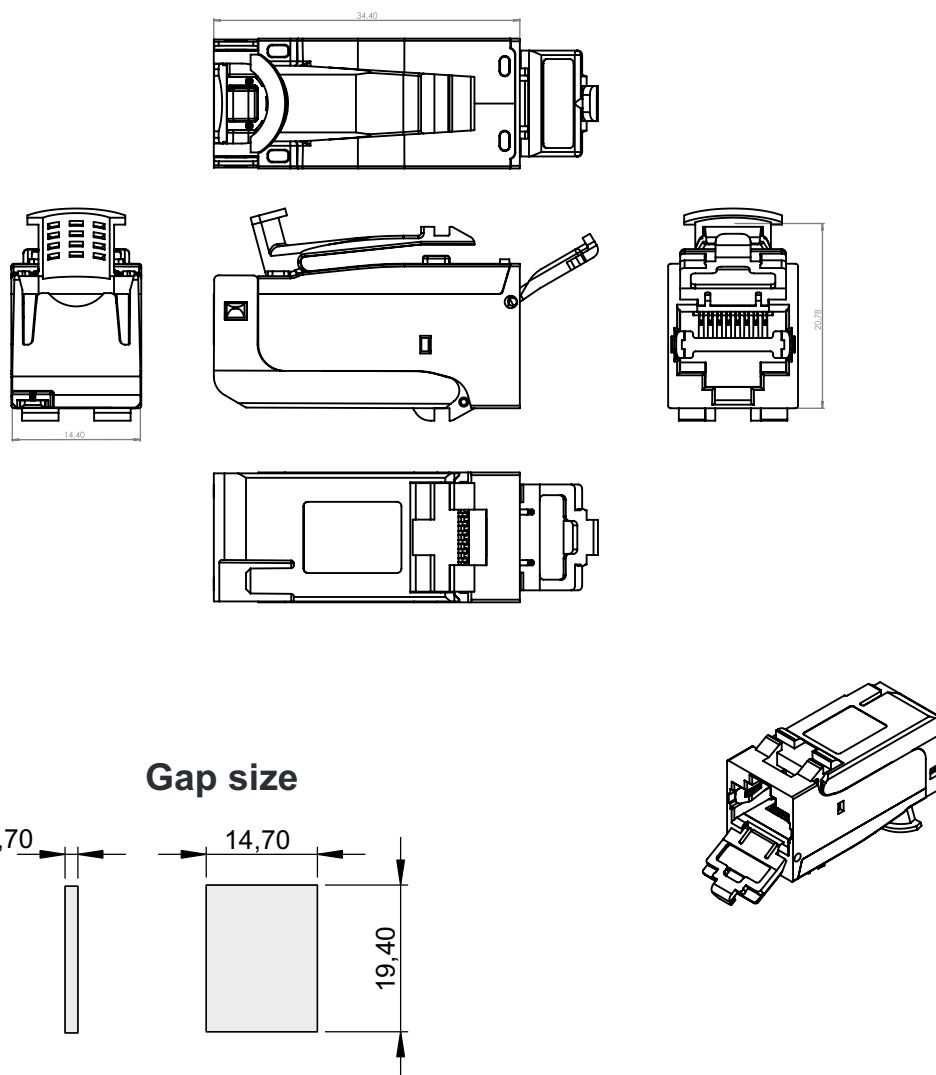
All rights reserved ZVK GmbH D-94244 Teisnach Technologiecampus 2 Germany Phone: +49 9923 804379-0 Fax: +49 9923 804379-50 www.zvk-gmbh.de all data without guarantee

d Änderung c PoE überarbeitet b Bestellcode a Neuerstellung	03.11.2022 17.07.2017 09.03.2017 01.07.2016	MW MJ GF MJ	drawn	01.07.2016	MJ	 EasyLan [®] ...for a better connectivity		
			appr.	04.07.2016	GF			
			Titel: fixLink[®] Cat. 6_A ISO/IEC WA AWG 24 - AWG 22				Dimensions: mm	
			Drawing number: ZN-CU161034				Original: DIN A4	
Index	Revision code	Date	Name	Sheet 2 of 4				

Technical Data

Transmission Performance	
10 Gigabit Ethernet acc. to IEEE 802.3an	adequate
GHMT approved (PoE type III / IV)	DIN IEC 60512-99-001:2015 & DIN IEC 60512-9-3:2010
Categorie 6 _A	ISO/IEC 11801; DIN EN 50173-1
Class EA	acc. ISO/IEC 11801 Amendment 1/2 typical link length > 2 m, in combination with a CP-cable: CP-Link typ. > 10 m 10 GbE is supported

Drawing



d	Änderung	03.11.2022	MW	drawn	01.07.2016	MJ
				c	PoE überarbeitet	17.07.2017
b	Bestellcode	09.03.2017	GF	appr.	04.07.2016	GF
a	Neuerstellung	01.07.2016	MJ	Titel: fixLink® Cat. 6_A ISO/IEC WA AWG 24 - AWG 22		
Index	Revision code	Date	Name	Drawing number: ZN-CU161034		

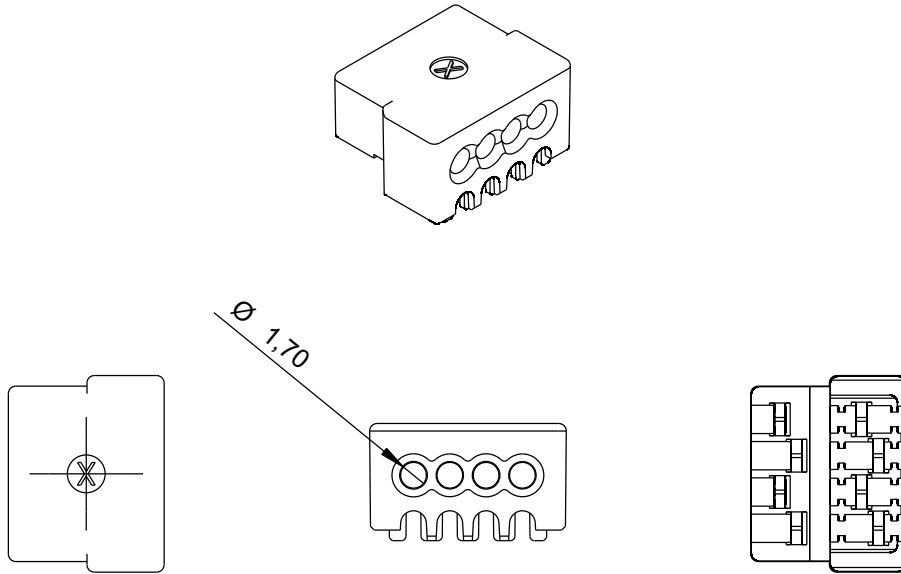


Dimensions: mm

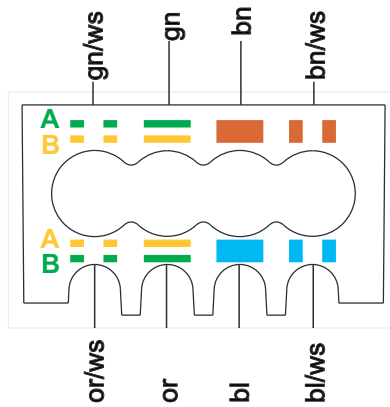
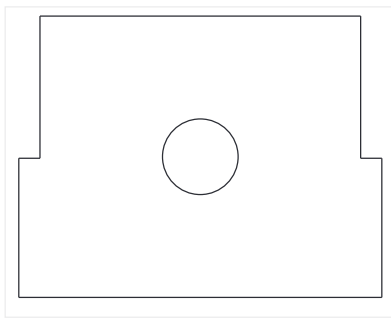
Original: DIN A4

Sheet 3 of 4

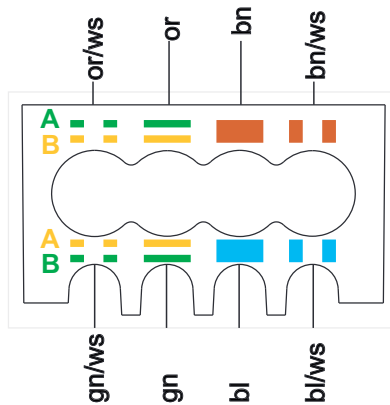
Drawing



Configuration



Configuration to
TIA/EIA 568 A



Configuration to
TIA/EIA 568 B

Index	Revision code	Date	Name	drawn	01.07.2016	MJ
				appr.	04.07.2016	GF
				Titel:		
				fixLink® Cat. 6 _A ISO/IEC WA AWG 24 - AWG 22		
Drawing number:				ZN-CU161034		



Dimensions: mm

Original: DIN A4

Sheet 4 of 4