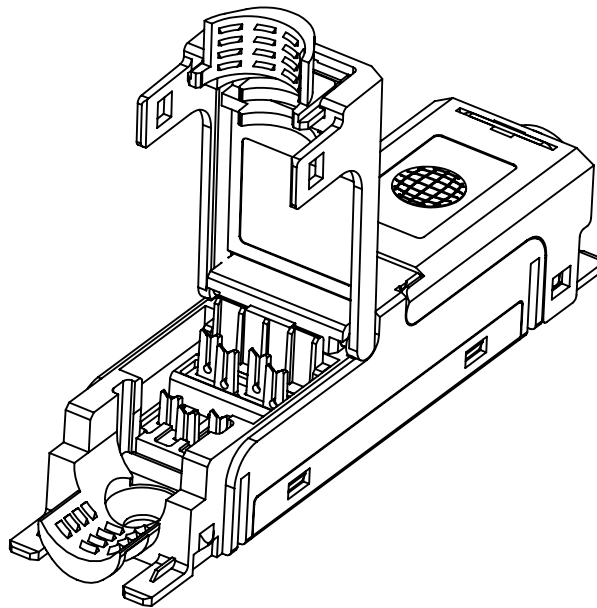



# Technical Datasheet

## *fixLink<sup>®</sup> Extender Kat. 6<sub>A</sub> ISO/IEC*

AWG 27 - AWG 26

**Order Code: CKEFFL00**




<small>c b a</small>	<small>Änderung Anpassungen Neuerstellung</small>	<small>17.03.2022 20.07.2015 01.04.2015</small>	<small>MW MJ MJ</small>	drawn	01.04.2015	MJ	 <b>EasyLan<sup>®</sup></b> <small>...for a better connectivity</small>	
				appr.	02.04.2015	GF		
				Titel: <b>fixLink<sup>®</sup> Extender Kat. 6<sub>A</sub> ISO/IEC</b> AWG 27-26				Dimensions: mm
				Drawing number: <b>ZN-CU151030</b>				Original: DIN A4
Index	Revision Code	Date	Name				Sheet 1 of 4	

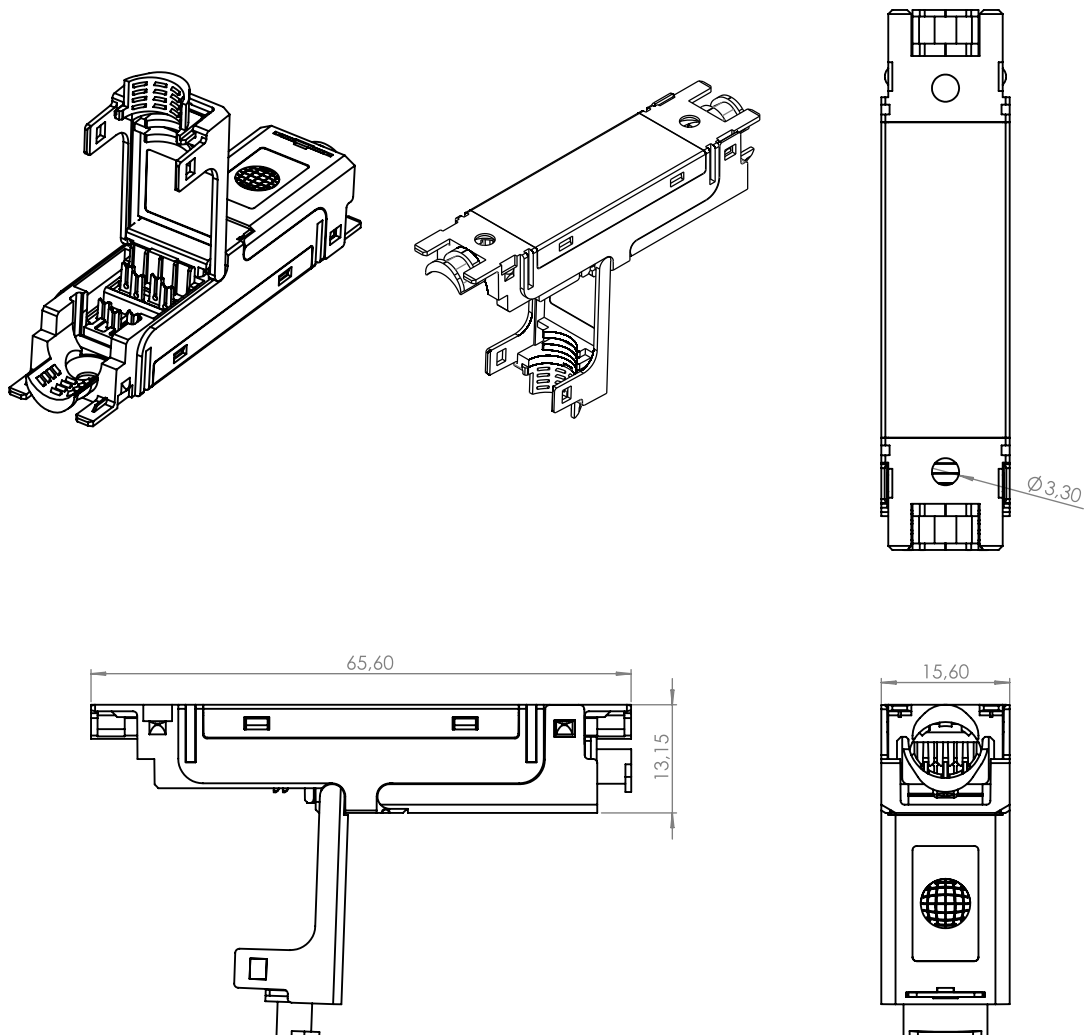
# Technical Data

<b>Mechanical Characteristics</b>	
Conductor diameter	flex / stranded 0,457-0,483 mm / AWG 27/7 - AWG 26/7
Insulation diameter	5 - 9 mm
Reusable (Module)	≤ 5 cycles with the same diameter
EC Directive 2002/95/EC (RoHS)	RoHS-compliant
<b>Materials</b>	
Housing	zinc diecast
Strain-relief sliver	zinc diecast
Surface	nickel plating
PCB	FR-4
PCB finish	lead-free
Insulation housing	PA light green (RAL 6027)
Contact support plate	PC white (RAL 9010)
IDC	CuNi2Si
IDC finish	min. 3-6 µm (120-240µin) Sn
<b>Environmental Requirements</b>	
Particulate ingress	IP2X
Water ingress	IPX0
Ambient temperature	-40°C to +70°C
<b>Electrical Characteristics</b>	
Contact resistance	≤ 20 mΩ
Insulation resistance	≥ 500 MΩ
Voltage proof - contact-contact	≥ 1000 V (DC)
Voltage proof - contact-shield	≥ 1500 V (DC)
Current carrying capacity at 50°C	1,25 A
4PPoE according to IEEE 802.3bt	adequate
Transfer Impedance at 1 MHz	≤ 100 mΩ
Transfer Impedance at 10 MHz	≤ 200 mΩ
Transfer Impedance at 80 MHz	≤ 1600 mΩ
<b>Transmission Performance</b>	
10 Gigabit Ethernet acc. to IEEE 802.3an	adequate
Class EA (ISO/IEC 11801)	max. length of link 90m
Typical values <sup>1)</sup>	NEXT = 2,0 dB / RL = 4,0 dB

<sup>1)</sup> PL2 measurement: 20m

c b a	Änderung Anpassungen Neuerstellung	17.03.2022 20.07.2015 01.04.2015	MW MJ MJ	drawn	01.04.2015	MJ	
				appr.	02.04.2015	GF	
Index	Revision Code	Date	Name	Titel: <b>fixLink® Extender Kat. 6<sub>A</sub> ISO/IEC                  AWG 27-26</b>		Dimensions: mm	
				Drawing number: <b>ZN-CU151030</b>		Original: DIN A4	
							Sheet 2 of 4

# Drawing



				drawn	01.04.2015	MJ
				appr.	02.04.2015	GF
c b a	Änderung Anpassungen Neuerstellung	17.03.2022 20.07.2015 01.04.2015	MW MJ MJ	Titel:		
				fixLink® Extender Kat. 6 <sub>A</sub> ISO/IEC AWG 27-26		
Index	Revision Code	Date	Name	Drawing number: <b>ZN-CU151030</b>		

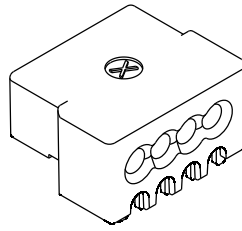


Dimensions: mm

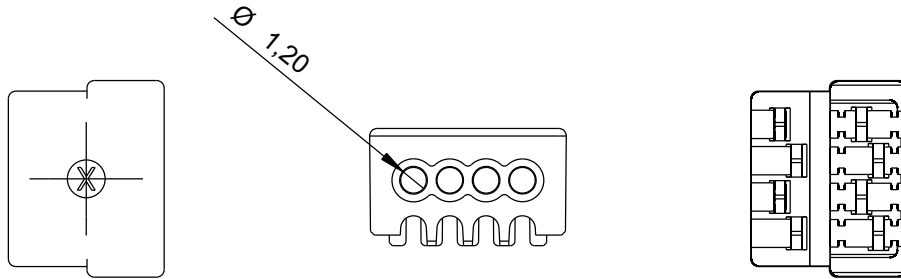
Original: DIN A4

Sheet 3 of 4

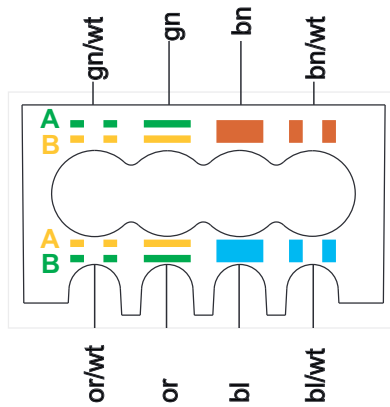
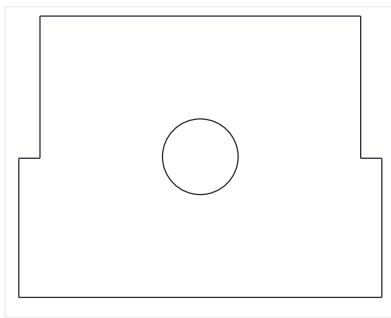
## Drawing



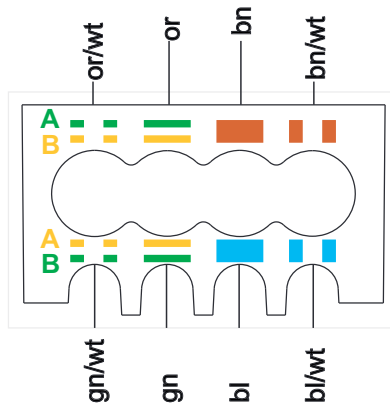
Scale 2:1



## Configuration



Configuration to  
TIA/EIA 568 A



Configuration to  
TIA/EIA 568 B

				drawn	01.04.2015	MJ
				appr.	02.04.2015	GF
Index	Revision Code	Date	Name	Titel: <b>fixLink® Extender Kat. 6<sub>A</sub> ISO/IEC</b> AWG 27-26		
				Drawing number: <b>ZN-CU151030</b>		



Dimensions: mm

Original: DIN A4

Sheet 4 of 4