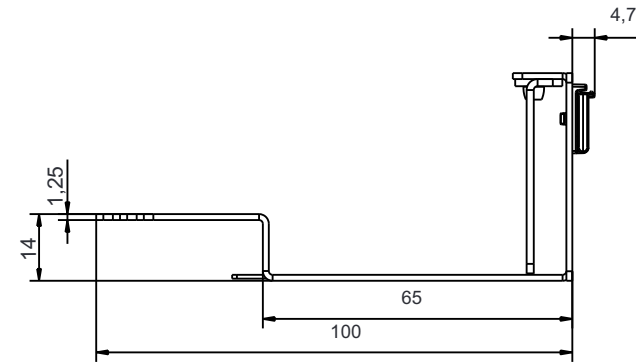
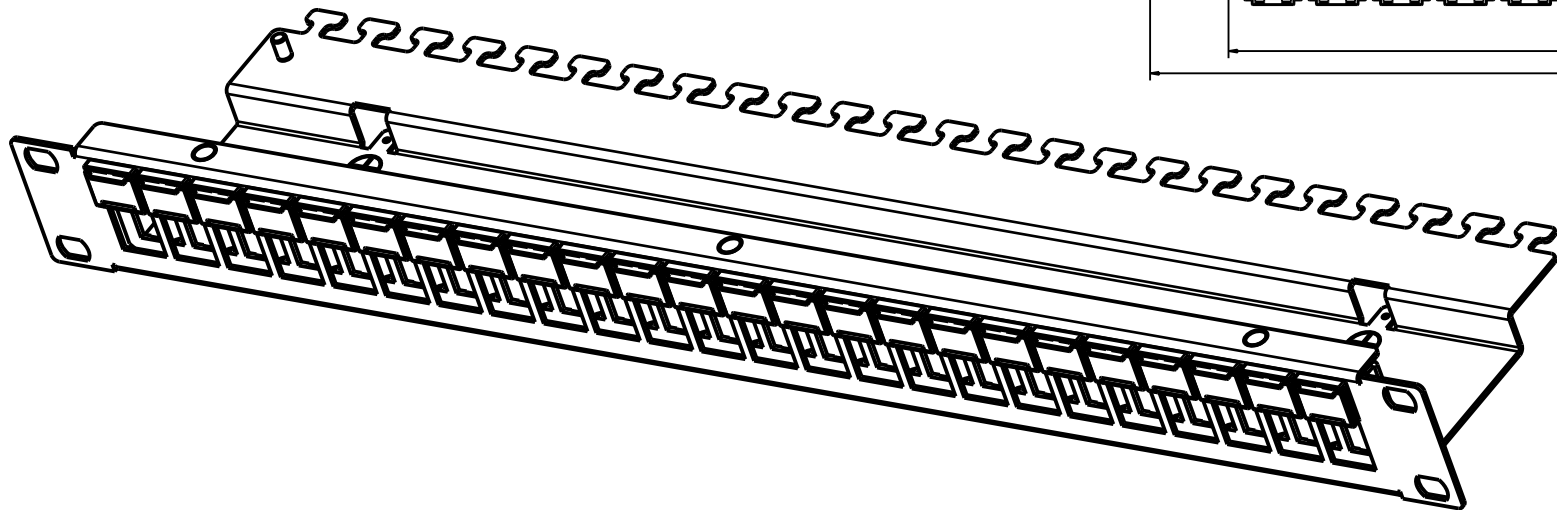
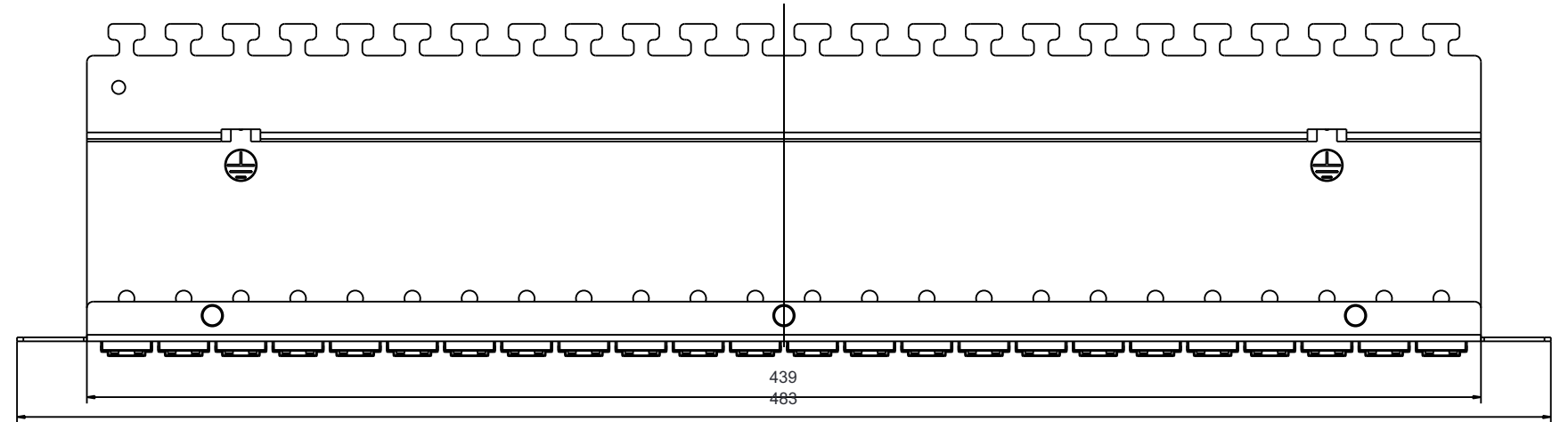
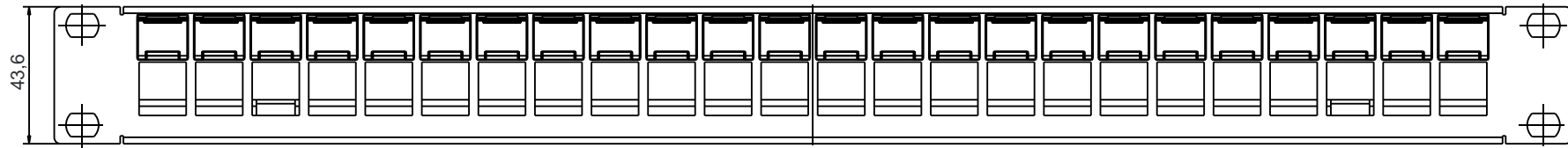


Technical Datasheet

*preLink® / fixLink® 19" Panel including labeling windows
for 24 Keystone Module*

Article No. : CKVPL0B01E (RAL7035) / CKVPL0B02E (RAL 9005)



| | |
|-----------------|-------------------|
| Material | steel zinc plated |
| Surface | powder-coated |

| | | | |
|---|-------|------------|----|
| | drawn | 15.05.2017 | LP |
| | appr. | 15.05.2017 | MJ |
| Titel: EasyLan® preLink® / fixLink® Panel 19" for 24x Keystone incl. labeling windows | | | |
| Drawing Number: ZN-BL171059 | | | |



Dimensions: mm
Original: DIN A3
Sheet 1 of 1

All rights reserved ZVK GmbH D-94244 Teisnach Technologiecampus 2 Germany Phone: +49 9923 804379-0 Fax: +49 9923 804379-50 www.zvk-gmbh.de