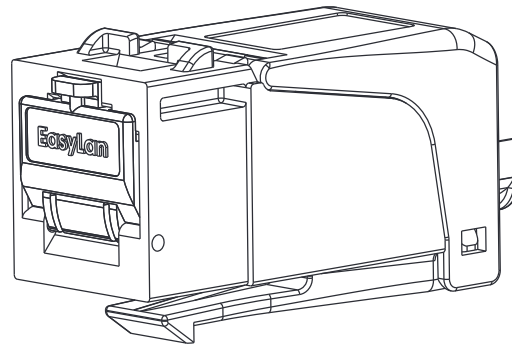



Technical Datasheet

fixLink[®] UTP Cat. 6A EIA/TIA

AWG 24 - AWG 22

Item No. : CKFVK000




e d c b a	Änderung	17.02.2023	MW	drawn 31.01.2017 LP appr. 01.02.2017 GF	 EasyLan[®] ...for a better connectivity
	Änderung	13.07.2022	LE		
	Änderung	08.01.2021	LP		
	Änderung	25.11.2020	LP		
	Neuerstellung	31.01.2017	LP		
Index	Revision code	Date	Name	Titel: fixLink[®] UTP Cat. 6A EIA/TIA AWG 24 - AWG 22 Drawing number: ZN-CU171012	Dimensions: mm Original: DIN A4 Sheet 1 of 4

Technical Data

Connector Standard	IEC 60603-7-51
Mechanical Characteristics	
Life (mating cycles)	≤ 2500
Insertion force	≤ 30N
Conductor diameter	solid 0,51-0,65 mm / AWG 24/1 - AWG 22/1
Insulation diameter	5 - 9 mm
Reusable (Module)	≤ 5 cycles with the same diameter
EC Directive 2002/95/EC (RoHS)	RoHS-compliant
Materials	
Housing	PC
Colors	black, white, red, green, blue, gray, violet, orange, yellow
PCB	FR-4
PCB finish	chem. NiAu
Contacts	Spring steel
Contact finish	0,76 µm / 30µm Au
Dust protection Cover	PC transparent
IDC	CuNi2Si
IDC finish	min. 3-6 µm (120-240µm) Sn
Environmental Requirements	
Particulate ingress	IP2X
Water ingress	IPX0
Ambient temperature	-40°C to +70°C
Packaging material	bio-degradable
Electrical Characteristics	
Contact resistance	≤ 20 mΩ
Insulation resistance	≥ 500 MΩ
Voltage proof - contact-contact	≥ 1000 V (DC)
Voltage proof - contact-shield	≥ 1500 V (DC)
Current carrying capacity at 50°C	1,25 A
PoE+ according to IEEE 802.3at	adequate
Transfer Impedance at 1 MHz	≤ 100 mΩ
Transfer Impedance at 10 MHz	≤ 200 mΩ
Transfer Impedance at 80 MHz	≤ 1600 mΩ

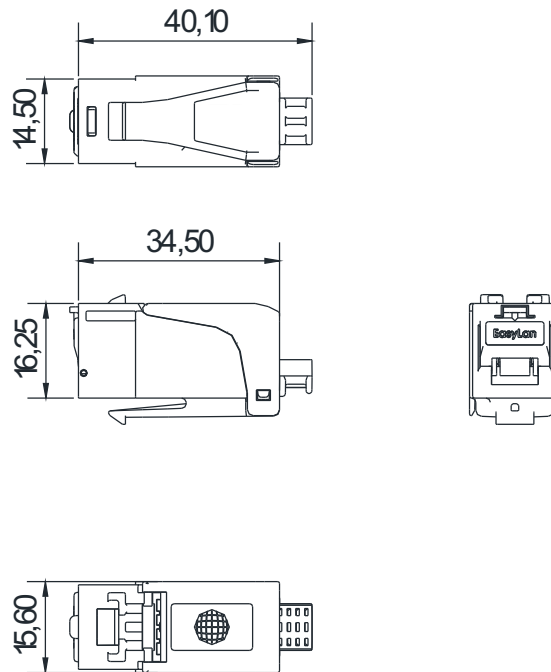
All rights reserved ZVK GmbH D-94244 Teisnach Technologicampus 2 Germany Phone: +49 9923 804379-0 Fax: +49 9923 804379-50 www.zvk-gmbh.de all data without guarantee

e d c b a	Änderung	17.02.2023	MW	drawn 31.01.2017 LP	 EasyLan [®] ...for a better connectivity			
	Änderung	13.07.2022	LE			Dimensions: mm		
	Änderung	08.01.2021	LP				Original: DIN A4	
	Änderung	25.11.2020	LP					Sheet 2 of 4
	Neuerstellung	31.01.2017	LP					
Index	Revision code	Date	Name	Title: fixLink[®] UTP Cat. 6A EIA/TIA AWG 24 - AWG 22 Drawing number: ZN-CU171012				

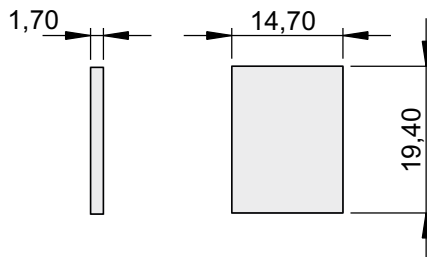
Technical Data


Transmission Performance	
10 Gigabit Ethernet acc. to IEEE 802.3an	adequate
Categorie 6A	EIA/TIA 568B.2-10
Matching Data Outlets	
preLink®/fixLink® Flush-mounted housing set, 80x80mm, angled, Single	Order code: CKVDU191
preLink®/fixLink® Flush-mounted housing set, 80x80mm, angled, Double	Order code: CKVDU192
preLink®/fixLink® Flush-mounted housing set, 80x80mm, angled, Triple	Order code: CKVDU193
preLink®/fixLink® Data Outlet with Cover plate and Frame, 80x80mm, horizontal, Double	Order code: CKVDU292

Drawing

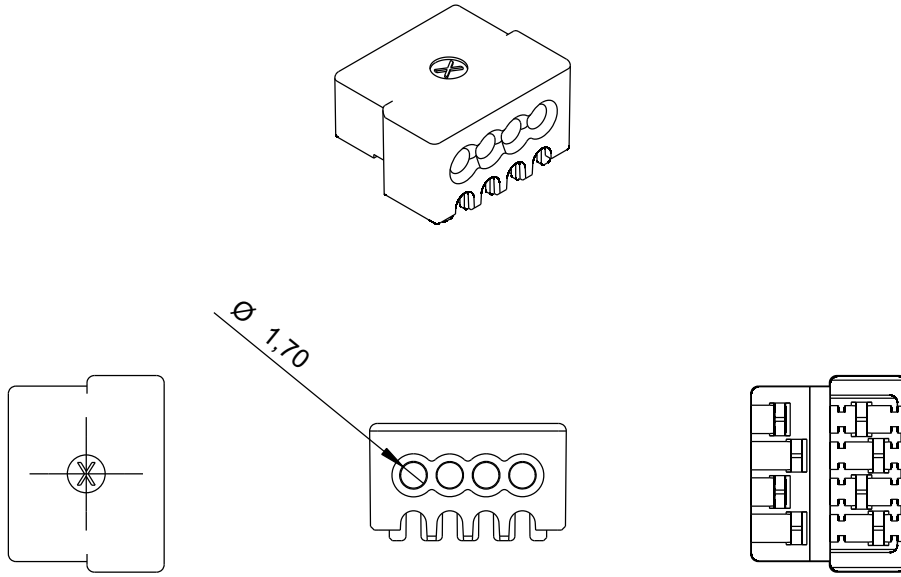


Gap size

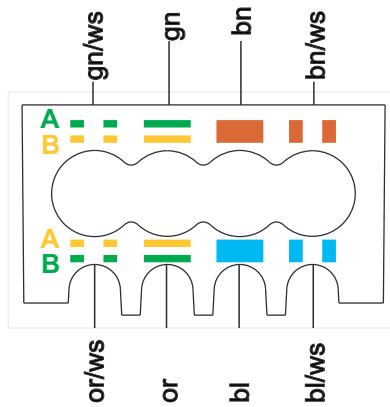
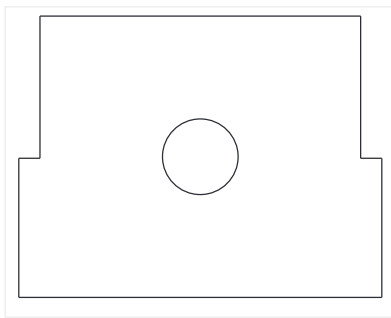


e Änderung 17.02.2023 MW d Änderung 13.07.2022 LE c Änderung 08.01.2021 LP b Änderung 25.11.2020 LP a Neuerstellung 31.01.2017 LP	drawn	31.01.2017	LP	 EasyLan® ...for a better connectivity	
	appr.	01.02.2017	GF		
	Titel: fixLink® UTP Cat. 6A EIA/TIA AWG 24 - AWG 22				Dimensions: mm
	Drawing number: ZN-CU171012				Original: DIN A4
	Index	Revision code	Date		Name

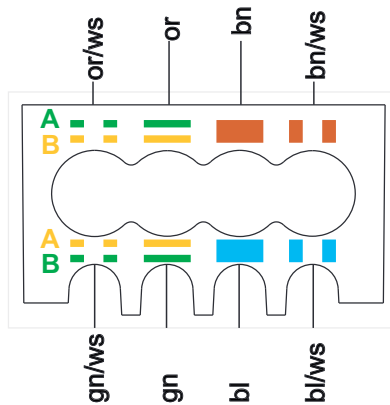
Drawing



Configuration



Configuration to
TIA/EIA 568 A



Configuration to
TIA/EIA 568 B

e d c b a	Änderung	17.02.2023	MW	drawn	31.01.2017	LP
	Änderung	13.07.2022	LE	appr.	01.02.2017	GF
	Änderung	08.01.2021	LP	Titel: fixLink® UTP Cat. 6A EIA/TIA AWG 24 - AWG 22		
	Änderung Neuerstellung	25.11.2020 31.01.2017	LP LP	Drawing number: ZN-CU171012		
Index	Revision code	Date	Name			



Dimensions: mm

Original: DIN A4

Sheet 4 of 4