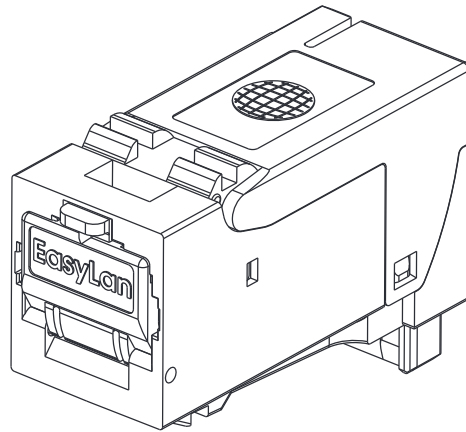



Technical Datasheet

fixLink[®] SL Cat. 6_A ISO/IEC AWG 27 - AWG 26

Article No. : CKFAKFL1 / CKFAKFL1EP

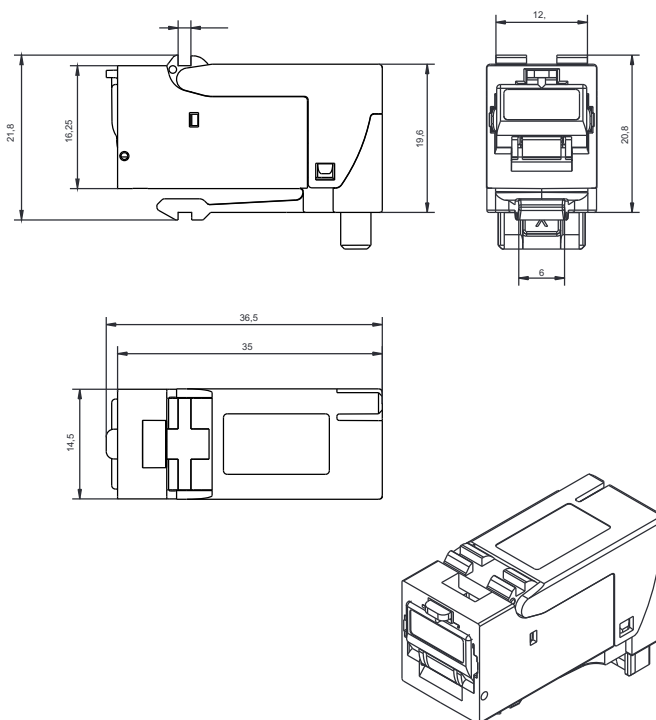


f e d c b a	changing	24.01.2023	MW	drawn	20.10.2015	MJ	 EasyLan [®] ...for a better connectivity	
	changing	03.11.2022	MW	appr.	20.10.2015	GF		
	changing	01.10.2020	LP	Titel: fixLink[®] SL Cat. 6_A ISO/IEC AWG 27 - AWG 26				
	PoE überarbeitet	17.07.2017	MJ					
	Bestellcode	09.03.2017	GF	Drawing number: ZN-CU151083				
Neuerstellung	20.10.2015	MJ						
Index	Revision code	Date	Name	Dimensions: mm Original: DIN A4 Sheet 1 of 4				

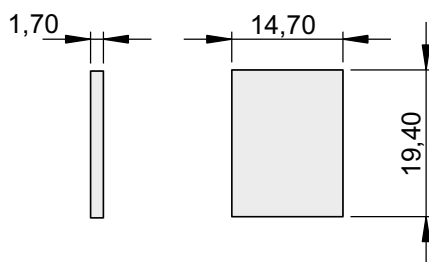
Technical Data


Transmission Performance	
10 Gigabit Ethernet acc. to IEEE 802.3an	adequate
GHMT approved (PoE type III / IV)	DIN IEC 60512-99-001:2015 & DIN IEC 60512-9-3:2010
Categorie 6 _A	ISO/IEC 11801; DIN EN 50173-1
Class EA	acc. ISO/IEC 11801 Amendment 1/2 typical link length > 2 m, in combination with a CP-cable: CP-Link typ. > 10 m 10 GbE is supported

Drawing

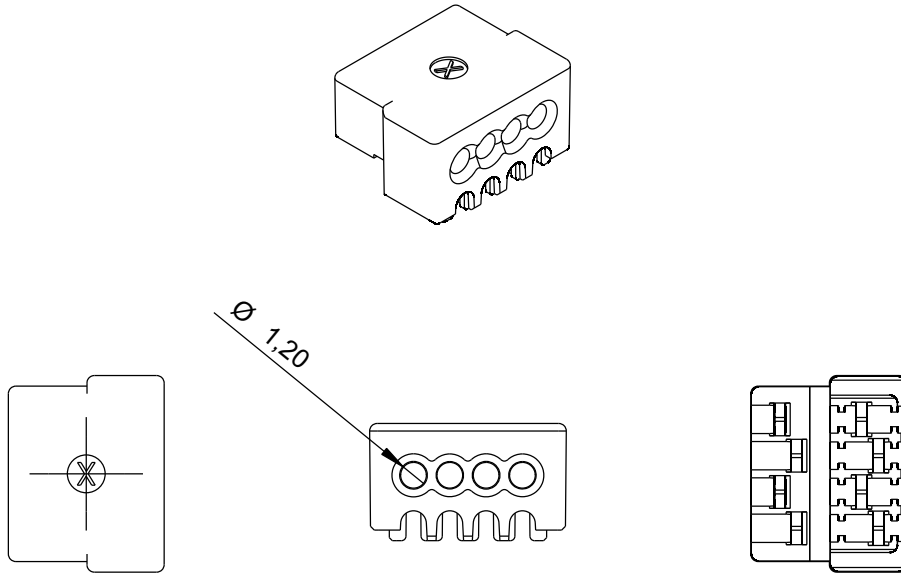


Gap size

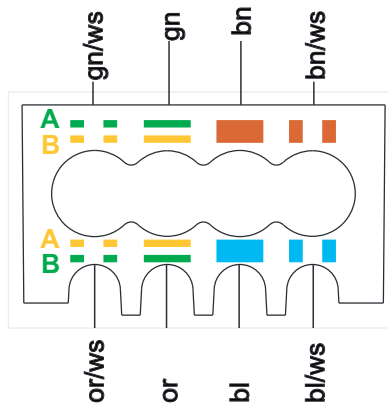
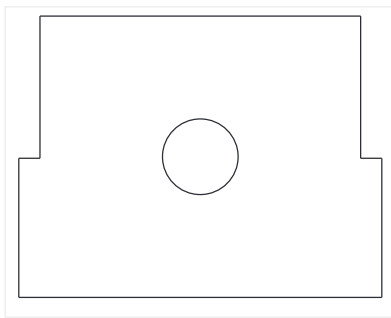


f changing 24.01.2023 MW e changing 03.11.2022 MW d changing 01.10.2020 LP c PoE überarbeitet 17.07.2017 MJ b Bestellcode 09.03.2017 GF a Neuerstellung 20.10.2015 MJ	drawn	20.10.2015	MJ	 EasyLan [®] ...for a better connectivity	
	appr.	20.10.2015	GF		
	Index	Revision code	Date	Name	Dimensions: mm Original: DIN A4 Sheet 3 of 4
	Titel: fixLink[®] SL Cat. 6_A ISO/IEC AWG 27 - AWG 26 Drawing number: ZN-CU151083				

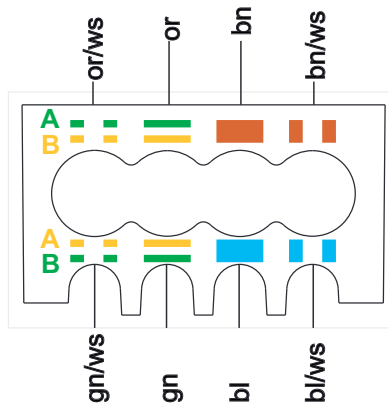
Drawing



Configuration



Configuration to
TIA/EIA 568 A



Configuration to
TIA/EIA 568 B

				drawn	20.10.2015	MJ
				appr.	20.10.2015	GF
				Titel: fixLink[®] SL Cat. 6_A ISO/IEC AWG 27 - AWG 26		
				Drawing number: ZN-CU151083		
f	changing	24.01.2023	MW	<div style="display: flex; align-items: center;"> <div> <p>EasyLan[®] ...for a better connectivity</p> </div> </div>		
e	changing	03.11.2022	MW			
d	changing	01.10.2020	LP			
c	PoE überarbeitet	17.07.2017	MJ			
b	Bestellcode	09.03.2017	GF			
a	Neuerstellung	20.10.2015	MJ			
Index	Revision code	Date	Name			



Dimensions: mm

Original: DIN A4

Sheet 4 of 4