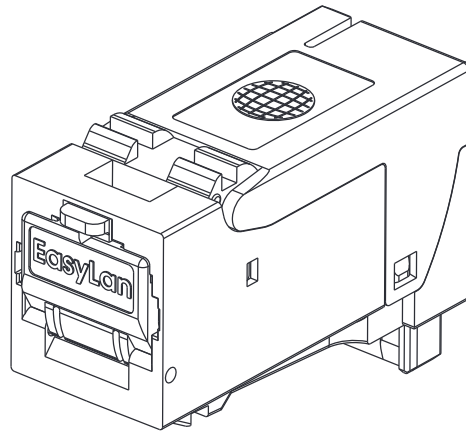



Technical Datasheet

fixLink[®] SL Cat. 6_A ISO/IEC AWG 24 - AWG 22

Article No.: CKFAK001 / CKFAK001EP




f e d c b a	changing	24.01.2023	MW	drawn	20.10.2015	MJ	 EasyLan [®] ...for a better connectivity	
	changing	03.11.2022	MW	appr.	21.10.2015	GF		
	changing	01.10.2020	LP	Titel: fixLink [®] SL Cat. 6 _A ISO/IEC AWG 24 - AWG 22				
	PoE überarbeitet	17.07.2017	MJ					
	Bestellcode	09.03.2017	GF	Drawing number: ZN-CU151082				
Neuerstellung	20.10.2015	MJ						
Index	Revision code	Date	Name	Dimensions: mm Original: DIN A4 Sheet 1 of 4				

Technical Data

Connector Standard	IEC 60603-7-51
Mechanical Characteristics	
Life (mating cycles)	≥ 750
Insertion force	≤ 30N
Conductor diameter	massiv / solid 0,51-0,65 mm / AWG 24/1 - AWG 22/1
Insulation diameter	5 - 9 mm
Reusable (Module)	≤ 5 cycles with the same diameter
EC Directive 2002/95/EC (RoHS)	RoHS-compliant
Materials	
Housing	zinc diecast
Strain-relief sliver	zinc diecast
Surface	nickel plated
Shield spring	stainless steel
PCB	FR-4
PCB finish	HAL lead-free
Contacts	spring steel
Contact finish	1,27 µm / 50µin Au
Insulation housing	PA light green (RAL 6027)
Contact support plate	PC yellow (RAL 1021)
Dust protection Cover	PC clear
IDC	CuNi2Si
IDC finish	min. 3-6 µm (120-240µin) Sn
Environmental Requirements	
Particulate ingress	IP2X
Water ingress	IPX0
Ambient temperature	-40°C to +85°C
Packaging material	bio-degradable
Electrical Characteristics	
Contact resistance	≤ 20 mΩ
Insulation resistance	≥ 500 MΩ
Voltage proof - contact-contact	≥ 1000 V (DC)
Voltage proof - contact-shield	≥ 1500 V (DC)
Current carrying capacity at 50°C	1,25 A
PoE according to IEEE 802.3at / IEEE802.3bt	adequate
Transfer Impedance at 1 MHz	≤ 100 mΩ
Transfer Impedance at 10 MHz	≤ 200 mΩ
Transfer Impedance at 80 MHz	≤ 1600 mΩ

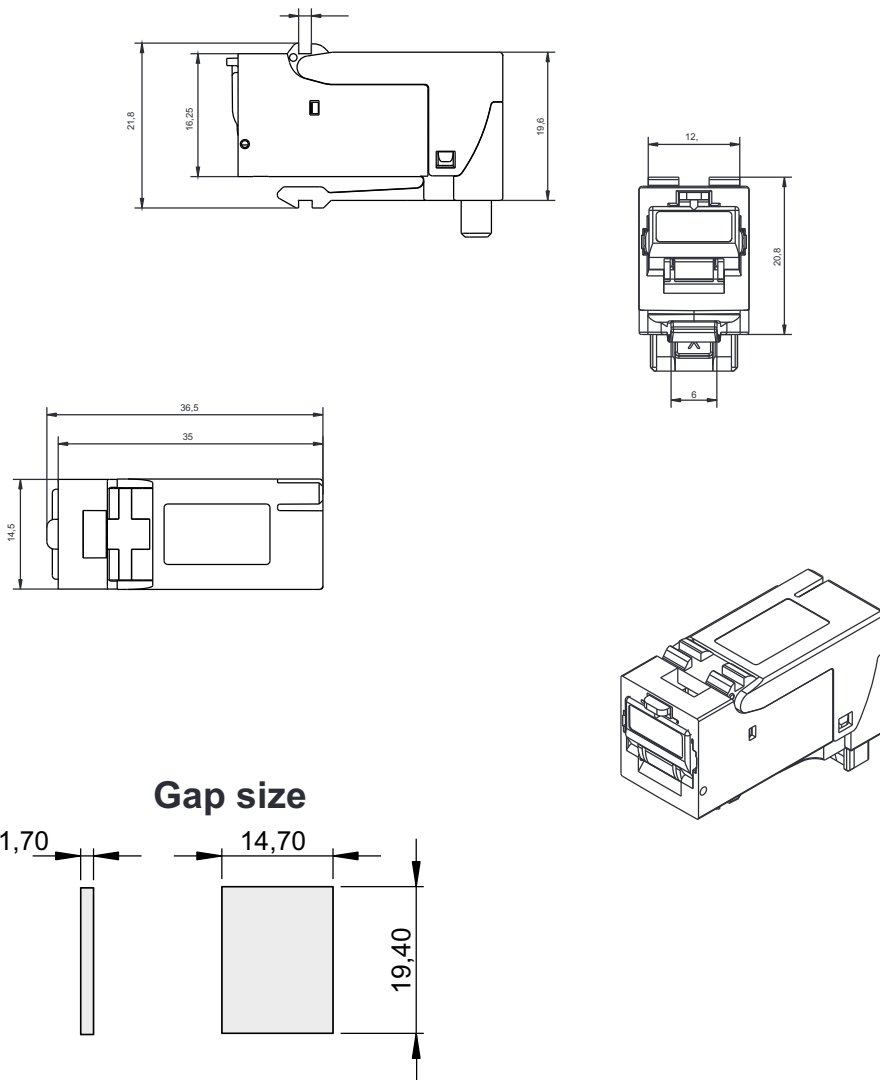
All rights reserved ZVK GmbH D-94244 Teisnach Technologiecampus 2 Germany Phone: +49 9923 804379-0 Fax: +49 9923 804379-50 www.zvk-gmbh.de all data without guarantee

f changing 24.01.2023 MW e changing 03.11.2022 MW d changing 01.10.2020 LP c PoE überarbeitet 17.07.2017 MJ b Bestellcode 09.03.2017 GF a Neuerstellung 20.10.2015 MJ	drawn	20.10.2015	MJ	 EasyLan [®] ...for a better connectivity	
	appr.	21.10.2015	GF		
	Titel: fixLink[®] SL Cat. 6_A ISO/IEC AWG 24 - AWG 22				Dimensions: mm
	Drawing number: ZN-CU151082				Original: DIN A4
Index	Revision code	Date	Name	Sheet 2 of 4	


Technical Data

Transmission Performance	
10 Gigabit Ethernet acc. to IEEE 802.3an	adequate
GHMT approved (PoE type III / IV)	DIN IEC 60512-99-001:2015 & DIN IEC 60512-9-3:2010
Categorie 6 _A	ISO/IEC 11801; DIN EN 50173-1
Class EA	acc. ISO/IEC 11801 Amendment 1/2 typical link length > 2 m, in combination with a CP-cable: CP-Link typ. > 10 m 10 GbE is supported

Drawing

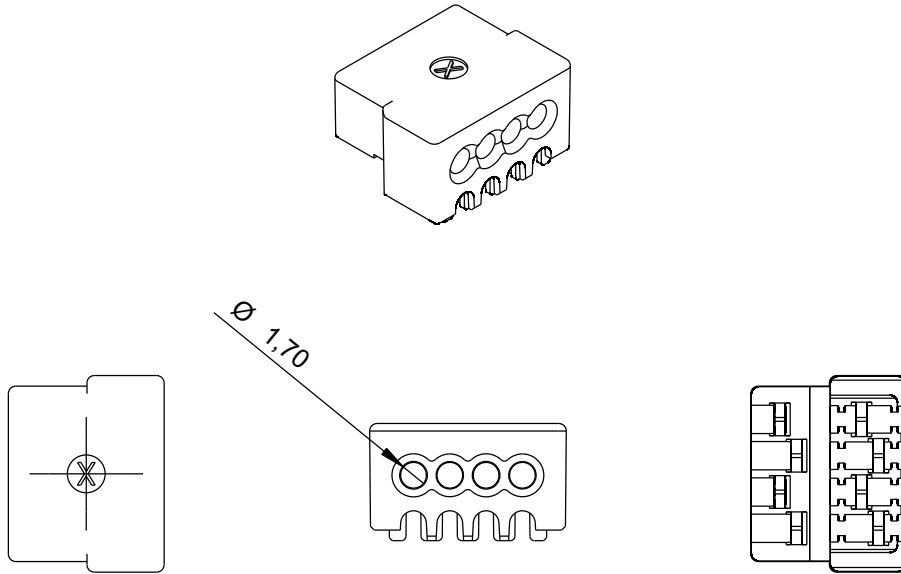


All rights reserved ZVK GmbH D-94244 Teisnach Technologiecampus 2 Germany Phone: +49 9923 804379-0 Fax: +49 9923 804379-50 www.zvk-gmbh.de all data without guarantee

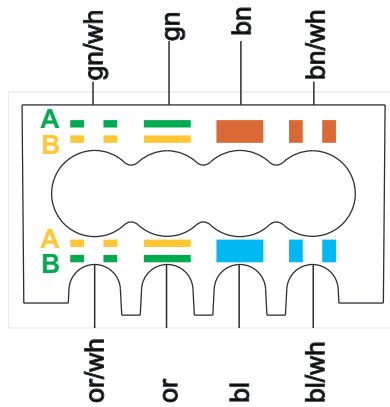
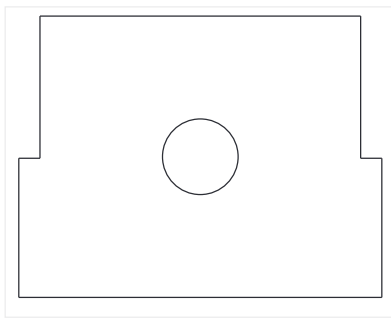
				drawn	20.10.2015	MJ	 EasyLan [®] ...for a better connectivity
				appr.	21.10.2015	GF	
				Titel: fixLink[®] SL Cat. 6_A ISO/IEC AWG 24 - AWG 22			Dimensions: mm
				Drawing number: ZN-CU151082			Original: DIN A4
Index	Revision code	Date	Name				Sheet 3 of 4

f	changing	24.01.2023	MW
e	changing	03.11.2022	MW
d	changing	01.10.2020	LP
c	PoE überarbeitet	17.07.2017	MJ
b	Bestellcode	09.03.2017	GF
a	Neuerstellung	20.10.2015	MJ

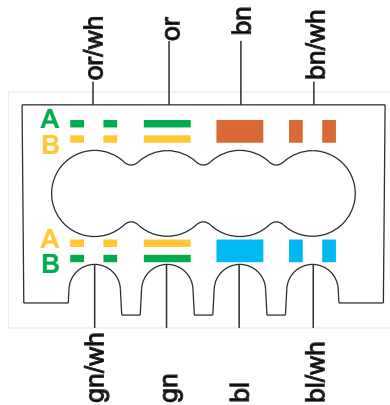
Drawing




Configuration



Configuration to
TIA/EIA 568 A



Configuration to
TIA/EIA 568 B

				drawn	20.10.2015	MJ
				appr.	21.10.2015	GF
				Titel: fixLink[®] SL Cat. 6_A ISO/IEC AWG 24 - AWG 22		
				Drawing number: ZN-CU151082		
f	changing	24.01.2023	MW	 EasyLan[®] ...for a better connectivity		
e	changing	03.11.2022	MW			
d	changing	01.10.2020	LP			
c	PoE überarbeitet	17.07.2017	MJ			
b	Bestellcode	09.03.2017	GF			
a	Neuerstellung	20.10.2015	MJ			
Index	Revision code	Date	Name	Sheet 4 of 4		



EasyLan[®]
...for a better connectivity

Dimensions: mm

Original: DIN A4

Sheet 4 of 4