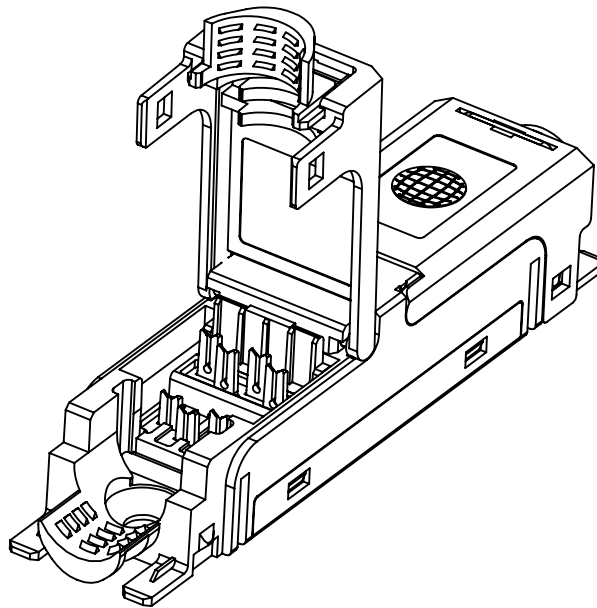



# Technical Datasheet

## *fixLink<sup>®</sup> Extender Kat. 6<sub>A</sub> ISO/IEC*

AWG 24 - AWG 22

**Order Code: CKEFFL00**




<small>d</small> <small>c</small> <small>b</small> <small>a</small>	<small>Änderung</small> <small>Bestellcode</small> <small>Anpassungen</small> <small>Neuerstellung</small>	<small>17.03.2022</small> <small>09.03.2017</small> <small>20.07.2015</small> <small>01.04.2015</small>	<small>MW</small> <small>GF</small> <small>MJ</small> <small>MJ</small>	<small>drawn</small>  <small>appr.</small>	<small>01.04.2015</small>  <small>02.04.2015</small>	<small>MJ</small>  <small>GF</small>	 <b>EasyLan<sup>®</sup></b> <small>...for a better connectivity</small>
	<small>Titel:</small> <b>fixLink<sup>®</sup> Extender Kat. 6<sub>A</sub> ISO/IEC</b> <b>AWG 24-22</b>			<small>Dimensions: mm</small>			
	<small>Drawing number:</small> <b>ZN-CU151027</b>			<small>Original: DIN A4</small>			
	<small>Index</small> <small>Revision Code</small>			<small>Sheet 1 of 4</small>			

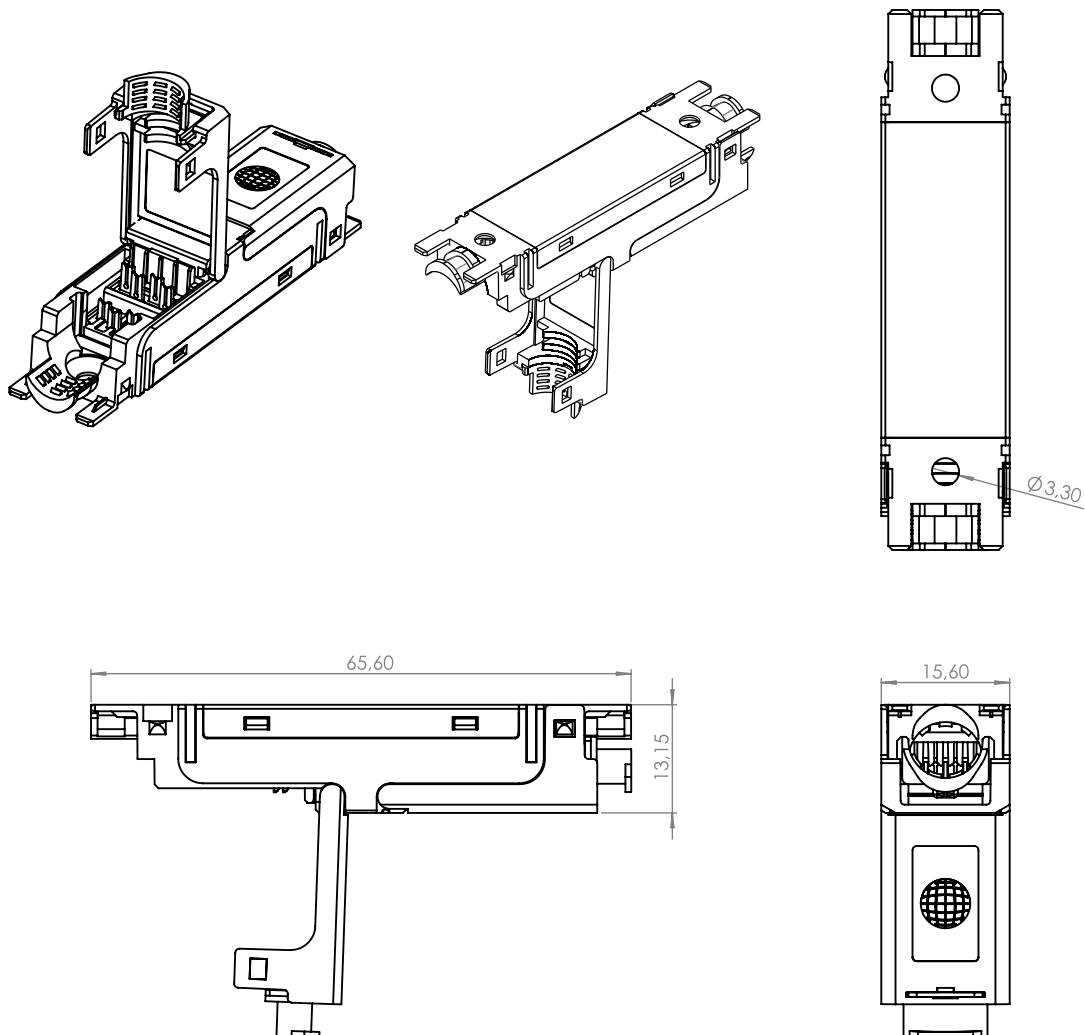
# Technical Data

<b>Mechanical Characteristics</b>	
Conductor diameter	solid 0,51-0,65 mm / AWG 24/1 - AWG 22/1
Insulation diameter	5 - 9 mm
Reusable (Module)	≤ 5 cycles with the same diameter
EC Directive 2002/95/EC (RoHS)	RoHS-compliant
<b>Materials</b>	
Housing	zinc diecast
Strain-relief sliver	zinc diecast
Surface	nickel plating
PCB	FR-4
PCB finish	lead-free
Insulation housing	PA light green (RAL 6027)
Contact support plate	PC yellow (RAL 1021)
IDC	CuNi2Si
IDC finish	min. 3-6 µm (120-240µin) Sn
<b>Environmental Requirements</b>	
Particulate ingress	IP2X
Water ingress	IPX0
Ambient temperature	-40°C to +70°C
<b>Electrical Characteristics</b>	
Contact resistance	≤ 20 mΩ
Insulation resistance	≥ 500 MΩ
Voltage proof - contact-contact	≥ 1000 V (DC)
Voltage proof - contact-shield	≥ 1500 V (DC)
Current carrying capacity at 50°C	1,25 A
4PPoE according to IEEE 802.3bt	adequate
Transfer Impedance at 1 MHz	≤ 100 mΩ
Transfer Impedance at 10 MHz	≤ 200 mΩ
Transfer Impedance at 80 MHz	≤ 1600 mΩ
<b>Transmission Performance</b>	
10 Gigabit Ethernet acc. to IEEE 802.3an	adequate
Class EA	max. length of link 90m
Typical values <sup>1)</sup>	NEXT = 2,0 dB / RL = 4,0 dB

<sup>1)</sup> PL2 measurement: 20m

d c b a	Änderung Bestellcode Anpassungen Neuerstellung	17.03.2022 09.03.2017 20.07.2015 01.04.2015	MW GF MJ MJ	drawn 01.04.2015 MJ		
				appr. 02.04.2015 GF		
	Titel: <b>fixLink<sup>®</sup> Extender Kat. 6<sub>A</sub> ISO/IEC          AWG 24-22</b>			Dimensions: mm		
	Drawing number: <b>ZN-CU151027</b>			Original: DIN A4		
Index	Revision Code	Date	Name	Sheet 2 of 4		

# Drawing



All rights reserved ZVK GmbH D-94244 Teisnach Technologiecampus 2 Germany Phone: +49 9923 804379-0 Fax: +49 9923 804379-50 www.zvk-gmbh.de all data without guarantee

d c b a	Änderung Bestellcode	17.03.2022	MW
	Anpassungen	09.03.2017	GF
	Neuerstellung	20.07.2015	MJ
		01.04.2015	MJ
Index	Revision Code	Date	Name
			drawn 01.04.2015 MJ
			appr. 02.04.2015 GF
Titel: <b>fixLink® Extender Kat. 6<sub>A</sub> ISO/IEC</b> AWG 24-22			
Drawing number: <b>ZN-CU151027</b>			

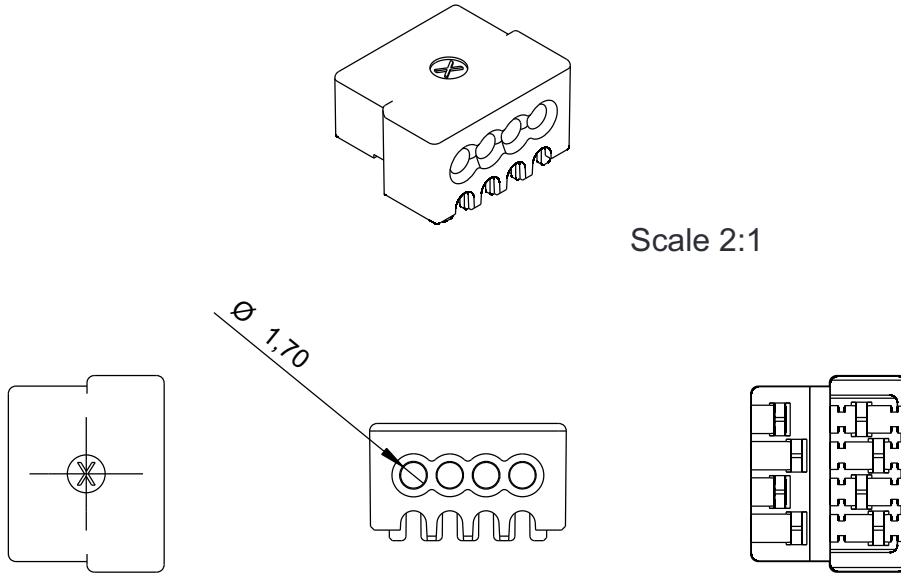


Dimensions: mm

Original: DIN A4

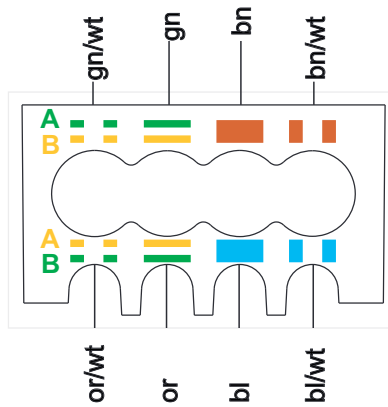
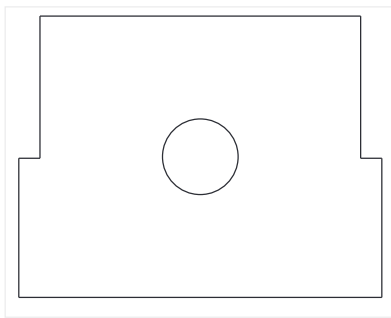
Sheet 3 of 4

## Drawing

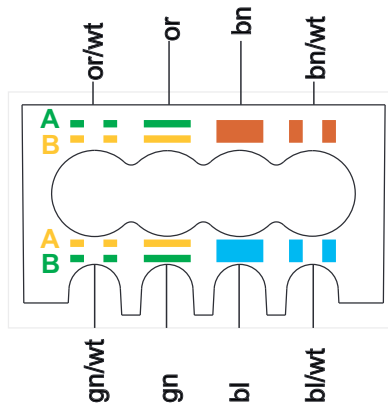


Scale 2:1

## Configuration



Configuration to  
TIA/EIA 568 A



Configuration to  
TIA/EIA 568 B

				drawn	01.04.2015	MJ
				appr.	02.04.2015	GF
Index	Revision Code	Date	Name	Titel: <b>fixLink® Extender Kat. 6<sub>A</sub> ISO/IEC</b> AWG 24-22		
				Drawing number: <b>ZN-CU151027</b>		



Dimensions: mm

Original: DIN A4

Sheet 4 of 4